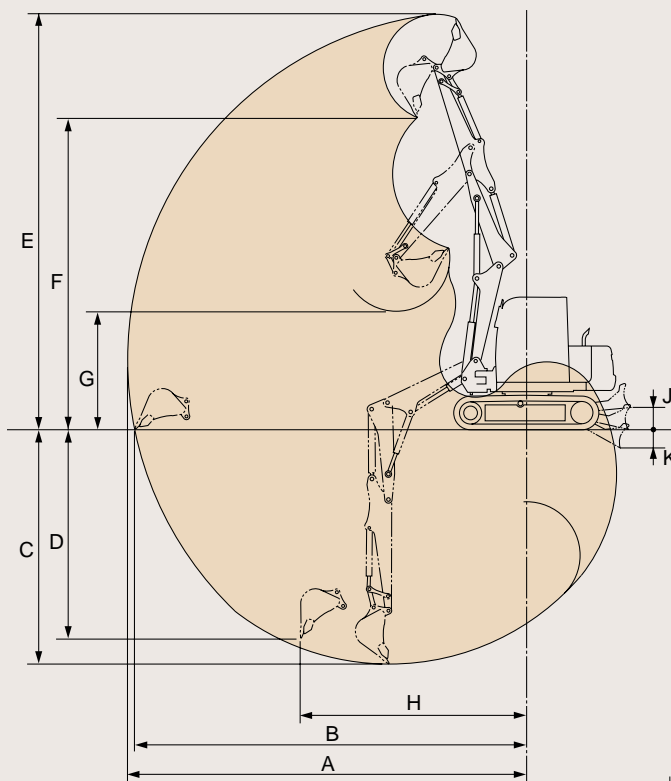




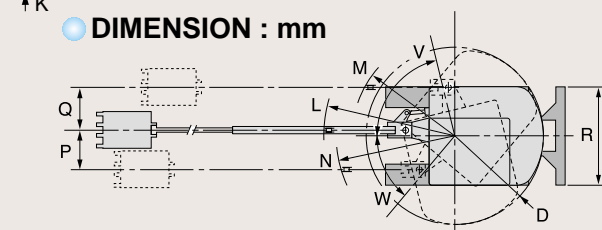
## Optional 2-Piece Boom TB175

### OPERATING RANGE : mm

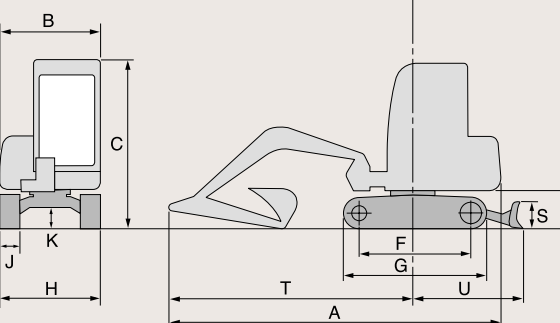


Item	Range
A Max.digging radius	7650
B Max.ground digging radius	7510
C Max.digging depth	4440
D Max.vertical digging depth	3955
E Max.digging height	7970
F Max.dumping height	6000
G Min.dumping height	2310
H Max.vertical digging radius	4360
J Max. raising height	525
K Max.lowering depth	410

### DIMENSION : mm



A	6560
B	2245
C	2570
D	1720
E	785
F	2210
G	2855
H	2150
J	450
K	385
L	2505
M	1955
N	2385
P	690
Q	730
R	2150
S	500
T	4845
U	2000
V	80°
W	50°

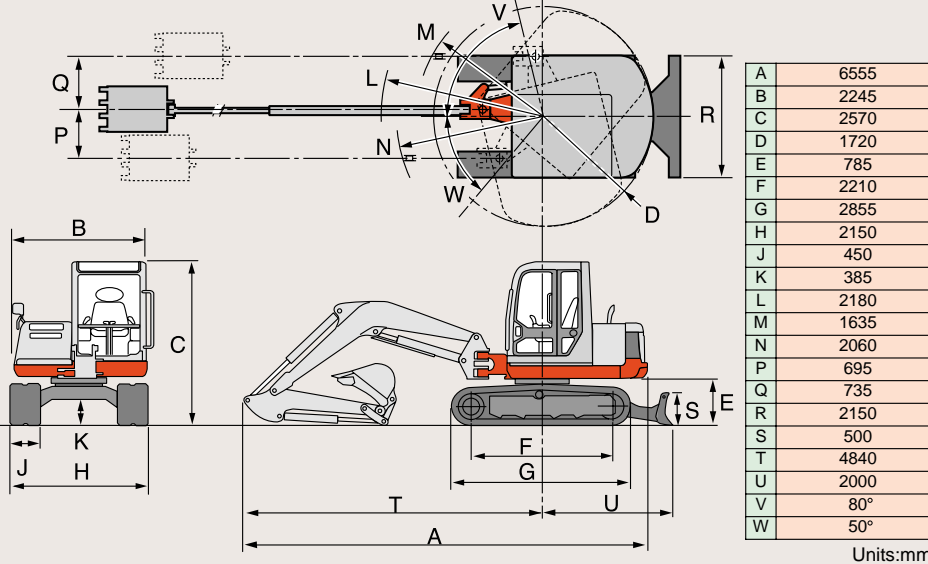


- Designed for longer digging reach.
- Superior slew performance at confined site.
- Additional counterweight standard for better machine stability.
- Auxiliary Hydraulic Service circuit.
  - Controllable at your fingertips.
  - Operable in either proportional or non-proportional modes.

(photo includes option)

# TB175

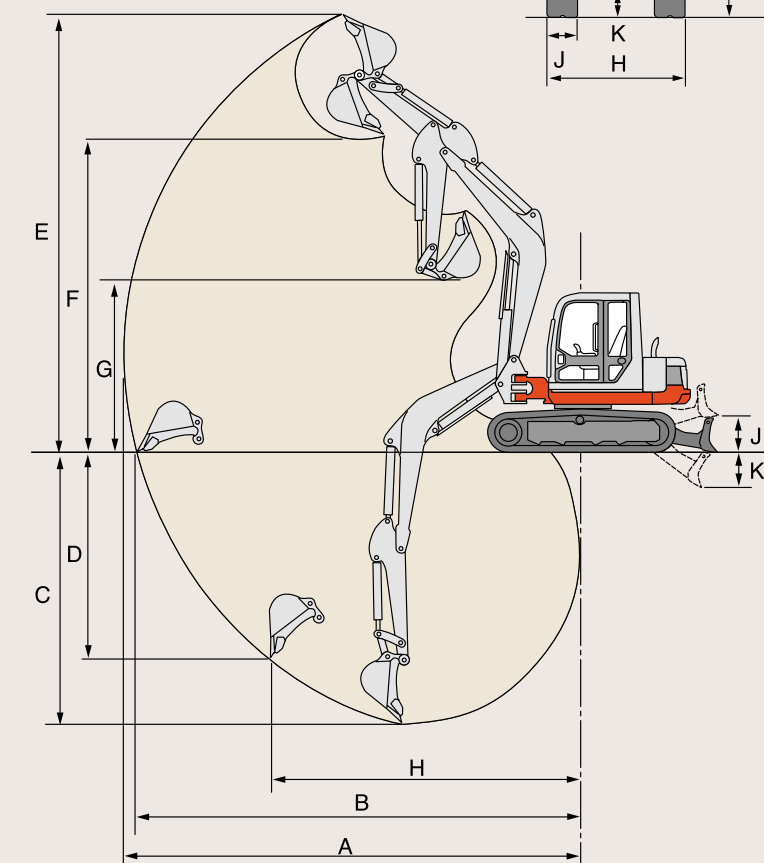
### DIMENSION : mm



A	6555
B	2245
C	2570
D	1720
E	785
F	2210
G	2855
H	2150
J	450
K	385
L	2180
M	1635
N	2060
P	695
Q	735
R	2150
S	500
T	4840
U	2000
V	80°
W	50°

Units:mm

### OPERATING RANGE : mm



Item	Standard Arm		Long arm
	Rubber Crawlers	Steel Crawlers	Rubber Crawlers
A Max.digging radius	7055	←	7385
B Max.floor digging radius	6905	6910	7245
C Max.digging depth	4240	4260	4590
D Max.vertical digging depth	3475	3500	3830
E Max.digging height	7025	7005	7290
F Max.dumping height	4995	4970	5255
G Min.dumping height	1935	1915	1630
H Max.vertical digging radius	4630	←	4700
J Max.raising height	525	505	←
K Max.lowering depth	410	435	←

Item	Telescopic Arm	
	Fully Retracted Arm	Fully Extended Arm
A Max.digging radius	7065	8125
B Max.ground digging radius	6915	7995
C Max.digging depth	4245	5445
D Max.vertical digging depth	3155	4365
E Max.digging height	7025	7715
F Max.dumping height	5005	5695
G Min.dumping height	1935	←
H Max.vertical digging radius	5075	5235

### SPECIFICATIONS TB175 (Cab, Rubber Tracked, Breaker Pippings Standard, Fops Cabin )(Steel Tracked: Option)

Weight		Rear Slew Radius	1720	OPERATING RANGE : mm	
Machine Weight	kg	Min. ground Clearance	385	Max. Dig. Depth	4240 (4260)
Bucket		PERFORMANCE		Max. Vertical Dig Depth	3475 (3500)
Bucket Capa.	m <sup>3</sup>	Traction speed	km/h	Max. Dump Height	4995 (4970)
Bucket Width	mm	Upper Slew Speed	min	Max. Dig Height	7025 (7005)
Diesel Engine (Water-Cooled)		Gradability	deg	Max. Dig Radius	7055
Model	4TNV98	Max Dig Power Bucket	kN	Max. Floor Dig. Radius	6905 (6910)
Type	4CYL, 4CYCL	Max Dig Power Arm	kN	Min. Slew Radius	1635
Rated Output	kW	Ground Press	kPa	Max. Bucket Offset RHLH	735 / 695
Max. Torque	Nm	DOZER BLADE : mm		HYDRAULIC SYSTEM	
Displacement	ml	Width x Height	2150 x 500	Pump type	Variable (P1+P2)+ Gear(P3+P4)
Cool Water Capa.	lit	Operating Range up/down	525 / 410	Set Press	27.5 x 2 + 24.5 + 3.4
Lub. Oil Capa	lit	OFF-SET DIG FUNCTION		Discharge(LPM) / min	69.3 x 2 + 53.1+10.7
Fuel Tank Capa	lit	Type	Boom Swing	Breaker & service Port / min	69.3
OVERALL DIMENSION : mm		Slew Angle RH / LH	507° 80°	Slew Motor	Axial Piston
Length (in transport)	6555	TRACTION SYSTEM : mm		Traction Motor	Axial Piston
Width	2150	Crawler (Track)	Rubber / Steel	Hydraulic Tank Capa	lit
Height	2570	Track Width : RT (ST)	450 (450)		



## WORLD CREATOR OF COMPACT EXCAVATOR TAKEUCHI MFG.CO.,LTD.

205-3,Uwadaira,Sakaki-machi,Hanishina-gun,  
Nagano 389-0605,Japan  
Phone (81)268-81-1112  
Telefax (81)268-81-1121  
URL <http://www.takeuchi-mfg.co.jp>  
E-mail:marketing@takeuchi-mfg.co.jp



In accordance with our established policy of constant improvement, we reserve the right to amend this specification at any time without notice. Printed in Japan. TK 040330



## FULL HYDRAULIC COMPACT EXCAVATOR TB175

Machine Weight:7280kg

TAKEUCHI

# TAKEUCHI ... Leading the Way in Compact Excavators

The new model TB175 excavator is the end result of years of research, field testing, customer evaluation and product refinement. Designed and engineered from the "ground up" with the latest in compact equipment technology, they firmly establish new standard for excavator performance, reliability, efficiency and ease of operation.



## Operator Comfort

■ **ISOLATION MOUNTED CAB** minimizes noise levels and vibration within the operators station for added operator comfort and awareness of the excavators operating and worksite conditions.

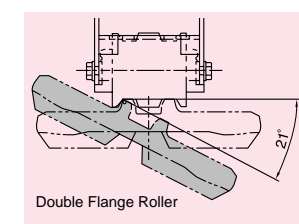
■ **MULTI-ADJUSTABLE SUSPENSION SEAT** provides for long days of productive operation with minimal operator fatigue.



■ **SHORT PITCH RUBBER TRACKS** provide vibration free travel even on the roughest ground conditions.



■ **DOUBLE-FLANGED TRACK ROLLERS** increase roller-to-rail contact for longer undercarriage life and virtually eliminate track run-off even on steep slope operation.



## Ease of Operation

■ **HYDRAULIC ATTACHMENTS** may be operated by momentary push button controls located on the left-hand joystick or proportionally controlled with the floor mounted swing pedal.



■ **ONE TOUCH ENGINE DECELERATOR** installed on the right hand joystick reduces fuel consumption when the excavator is temporary idled.

■ **TWO- SPEED TRAVEL SWITCH** is conveniently located on the right hand travel lever for ease of operation.

■ **TWO- SPEED TRAVEL SHIFT-DOWN SYSTEM** automatically shifts travel speed from high to low speed when ground conditions call for additional traction power.

■ **TRAVEL MOTORS** are equipped with shock less valves for smooth starts and stops.

■ **SELF-ADJUSTING HYDRAULIC TRACK TENSION SYSTEM** maintains proper track tension with no required routine maintenance.

■ **TWO- SPEED CAB SWING** allows the operator to slow the excavators swing speed for precise operation in confined areas.

■ **ENGINE SPEED** is easily set by feather touch button.



## Serviceability

■ **FULL OPENING REAR ENGINE COMPARTMENT** allows daily machine servicing to be conveniently accomplished from ground level

■ **THE FUEL SYSTEM AUTOMATICALLY BLEEDS AIR** from fuel lines on a fuel-depleted machine saving on time, tools and unnecessary service calls.

■ **HYDRAULIC TEST PORTS** are conveniently located for ease of hydraulic system diagnostic testing.

■ **GREASE GUN STORAGE COMPARTMENT** helps ensure that proper daily maintenance is performed.



## Environmental Sensitivity

■ **NEW SERIES ENGINE** is designed to meet the most stringent worldwide exhaust emission standards and also provides significantly reduced noise levels for minimal disturbance in urban areas.



## Options

■ **TKB401 HYDRAULIC BREAKER** is matched to the excavators hydraulic flow, pressure and operating capacity, enabling the excavator to efficiently perform concrete breaking and demolition work.

■ **BOOM AND ARM HOLDING VALVE** equipped with an emergency overload alarm provides for safe operation of craning activities.

■ **QUICK CHANGE CONTROL PATTERN SELECTOR VALVE** enables operators to quickly choose the operating pattern with which they are most familiar.

■ **OPTIONAL LONG ARM AND HYDRAULICALLY EXTENDIBLE DIPPER ARM** increase the excavators working range.

■ **AIR CONDITIONER** provides a comfortable operating environment in even the warmest climate.

■ **AUTOMATIC GREASE SYSTEM** reduces daily maintenance chores.

■ **A SECOND AUXILIARY HYDRAULIC SERVICE PORT** powers attachments that require multiple hydraulic actuation.

■ **FUEL TRANSFERRING PUMP** is available for easier refilling the fuel.



## Safety



■ **REAR MOUNTED WORK LIGHTS** improve job site safety by visually alerting anyone entering the excavators swing area.

■ **CAST IRON, WRAP AROUND PROTECTIVE COUNTERWEIGHT** protects the engine compartment from accidental damage when working in confined areas.

■ **SPRING-APPLIED, HYDRAULICALLY RELEASED** disc type parking brakes are installed on travel and slew motors for safe and reliable braking performance.

■ **EMERGENCY ENGINE SHUT DOWN/RETURN TO IDLE SYSTEM** helps protect the engine from problems due to unobservant operators.



■ **CONSOLE SAFELY LOCKOUT LEVERS** disable travel and operating controls for safe entry and exit from the excavator.



■ **RETRACTABLE SEAT BELT** is designed for comfort, convenience and encouragement for operator use of this important safety feature.



■ **SIDE LIGHT** is convenient for operation at night.

